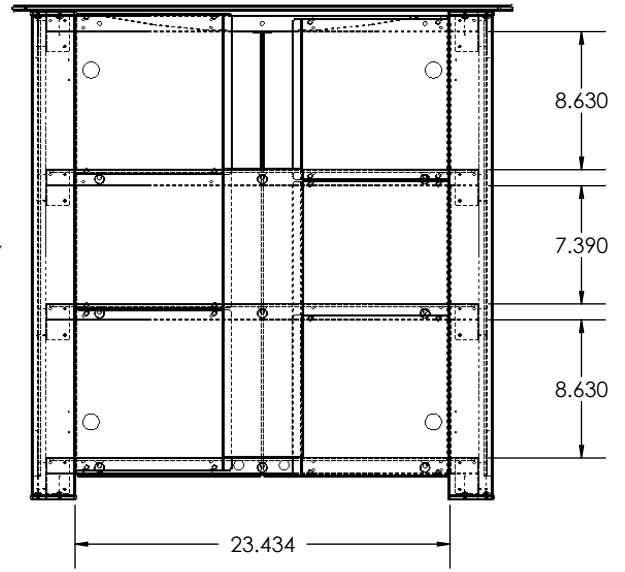
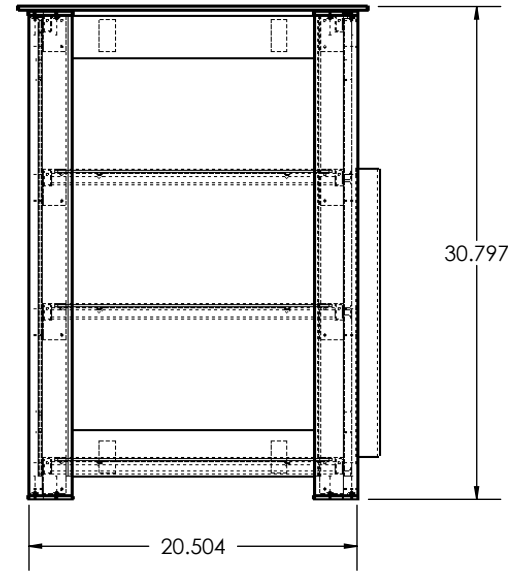
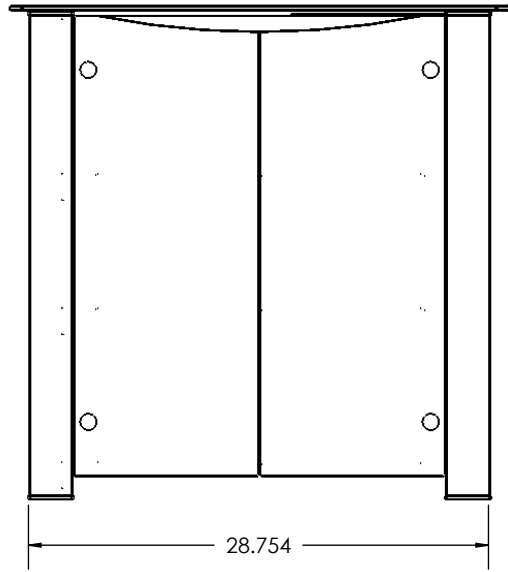
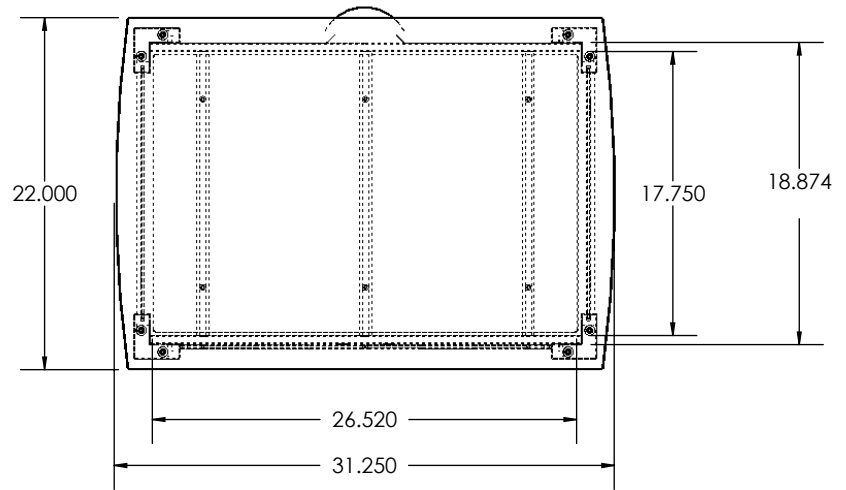


REVISIONS				
REV.	DESCRIPTION	DATE	INITIALED	ECO
00	RELEASE FOR PRODUCTION	04-29-08	RLB	



	NAME	DATE
ENGINEER	RLB	11-29-07
DESIGNER	MRR	01-29-08
APPROVED	RLB	01-29-08

SANUS SYSTEMS

TITLE:
DFAV30

NOTES:

SIZE A	DWG. NO. 6802-000112	REV A
------------------	--------------------------------	-----------------

PROPRIETARY AND CONFIDENTIAL
THE INFORMATION CONTAINED IN THIS DRAWING IS THE SOLE PROPERTY OF SANUS SYSTEMS, A PRODUCT DIVISION OF MILESTONE AV TECHNOLOGIES. ANY REPRODUCTION IN PART OR AS A WHOLE WITHOUT THE WRITTEN PERMISSION OF SANUS SYSTEMS IS PROHIBITED.

TEMPLATE REV.:	05	SCALE: 1:12	SHEET 1 OF 1
----------------	----	-------------	--------------