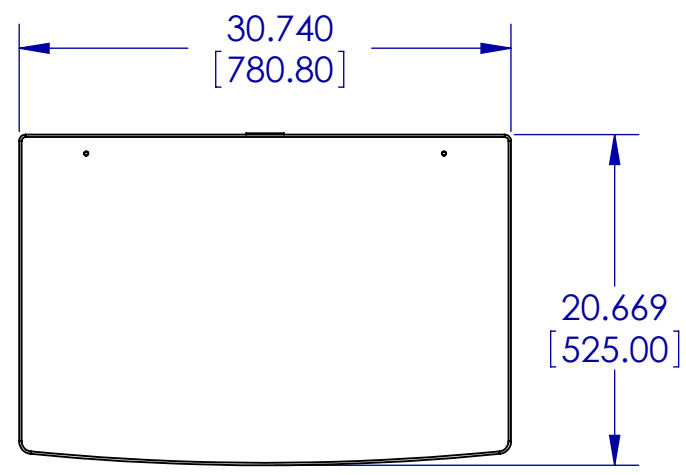
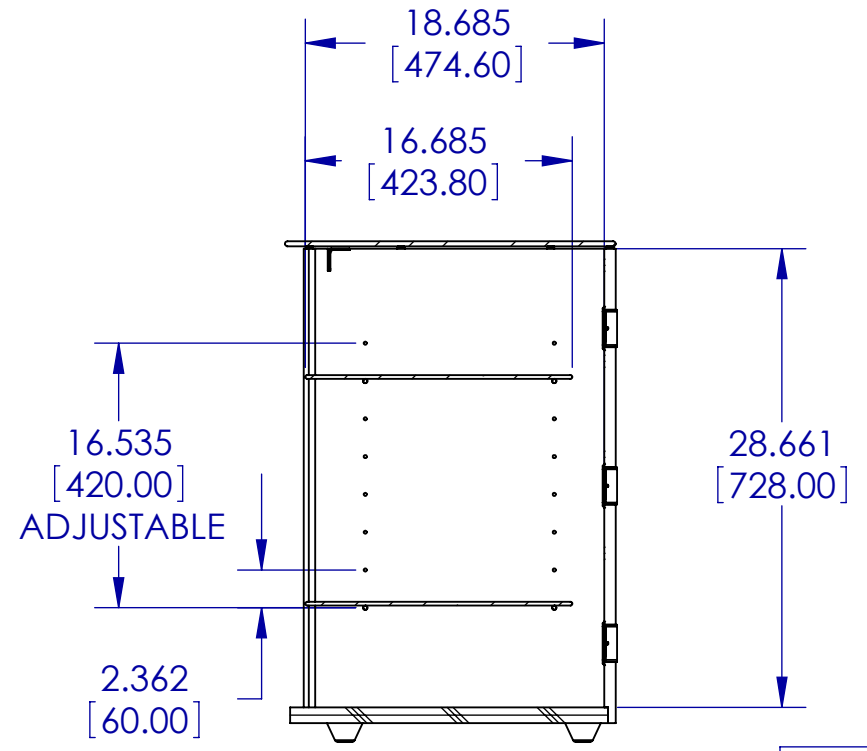
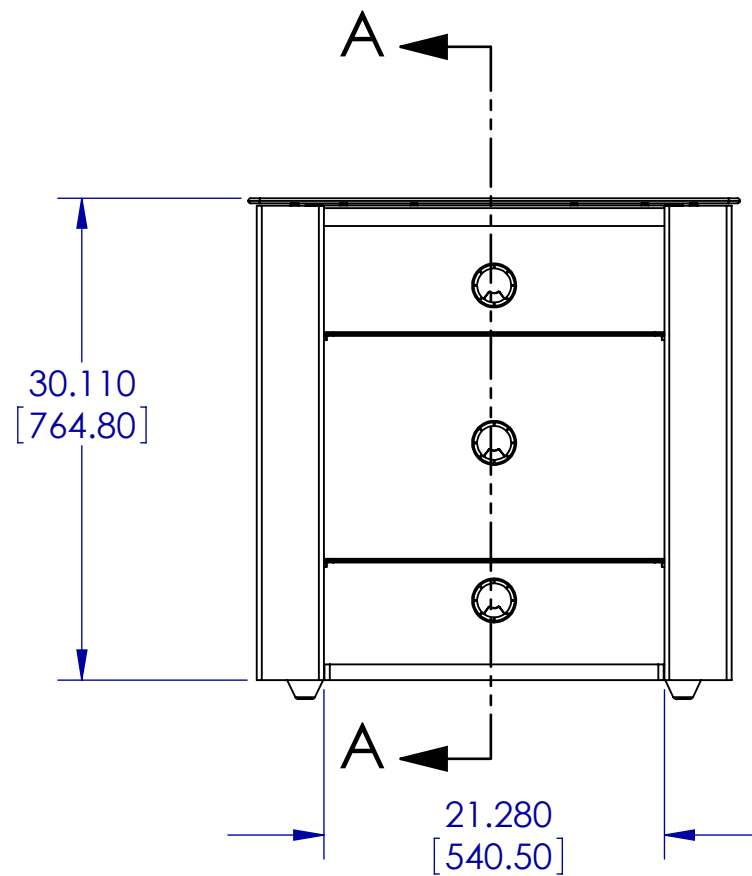
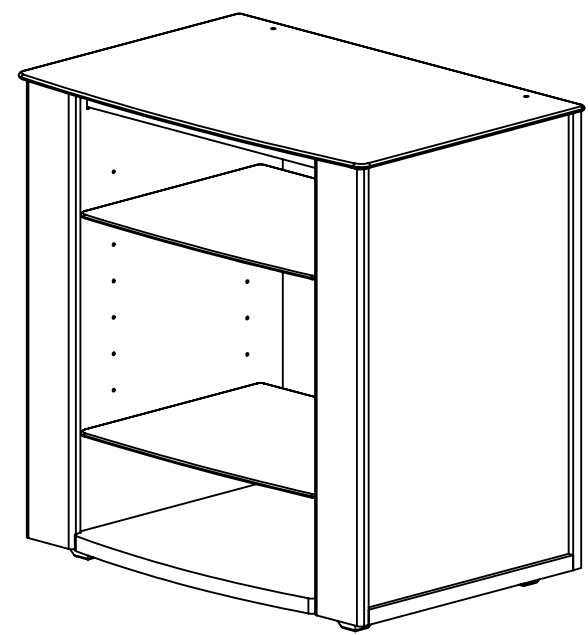


8 7 6 5 4 3 2 1

D  
C  
B  
A



TOP SHELF CAPACITY:  
100 LBS  
MIDDLE SHELF CAPACITY:  
50 LBS  
BOTTOM SHELF CAPACITY:  
100 LBS



SECTION A-A

**PROPRIETARY AND CONFIDENTIAL**  
THE INFORMATION CONTAINED IN THIS DRAWING IS THE SOLE PROPERTY OF SANUS SYSTEMS, A PRODUCT DIVISION OF MILESTONE AV TECHNOLOGIES. ANY REPRODUCTION IN PART OR AS A WHOLE WITHOUT THE WRITTEN PERMISSION OF SANUS SYSTEMS IS PROHIBITED.

ENGINEER	NAME JKV	DATE 8/15/2008	<b>SANUS SYSTEMS</b>
DESIGNER	JKV	8/15/2008	
APPROVED	DDG	8/15/2008	
NOTES:			
TITLE:			<b>PFAV30</b>
TEMPLATE REV.:	05		SHEET 1 OF 1

8 7 6 5 4 3 2 1